

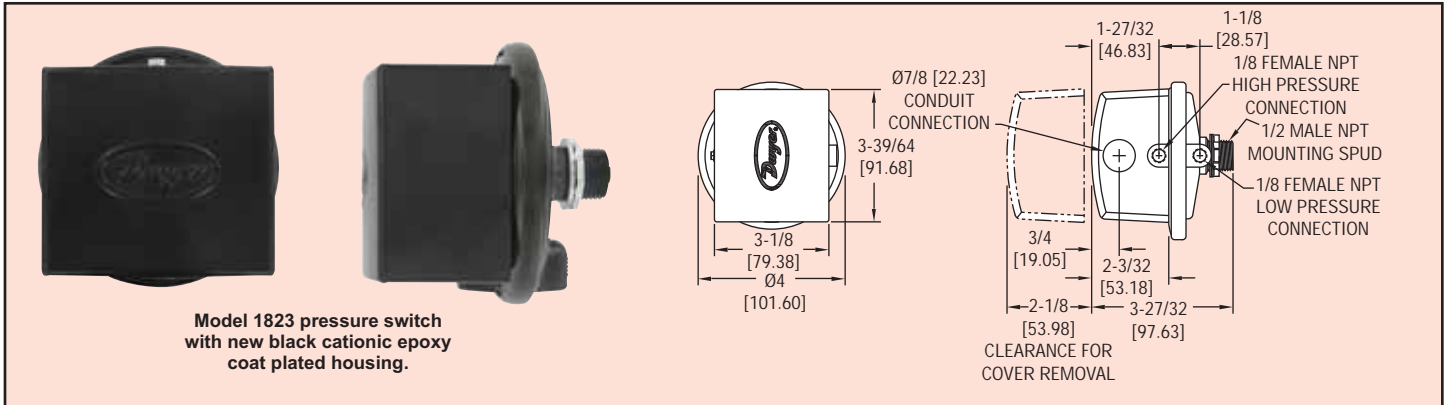
Low Differential Pressure Switches for General Industrial Service

Set Points from 0.07" to 85" w.c. Repetitive Accuracy within 2%



(Toll Free) 877.375.1290
7601 Stadium Drive Kalamazoo, MI 49009

www.flowtechswitches.com



Model 1823 pressure switch with new black cationic epoxy coat plated housing.

Essential for industrial environments, the Series 1800 combines small size and low price with 2% repeatability for enough accuracy for all but the most demanding applications. Set point adjustment inside the mounting stud permits mounting switch on one side of a wall or panel with adjustment easily accessible on the opposite side. UL and CSA listed, FM approved.

CAUTION: For use only with air or compatible gases.

**Series 1823 Switches
Operating Ranges & Deadbands**

Model	Operating Range, Inches W.C.	Approximate Dead Band	
		At Min. Set Point	At Max. Set Point
1823-00	0.07 to 0.22	0.05	0.05
1823-0	0.15 to 0.5	0.06	0.06
1823-1	0.3 to 1.0	0.08	0.08
1823-2	0.5 to 2.0	0.10	0.12
1823-5	1.5 to 5.0	0.14	0.28
1823-10	2.0 to 10	0.18	0.45
1823-20	3 to 22	0.35	0.70
1823-40	5 to 44	0.56	1.10
1823-80	9 to 85	1.30	3.0

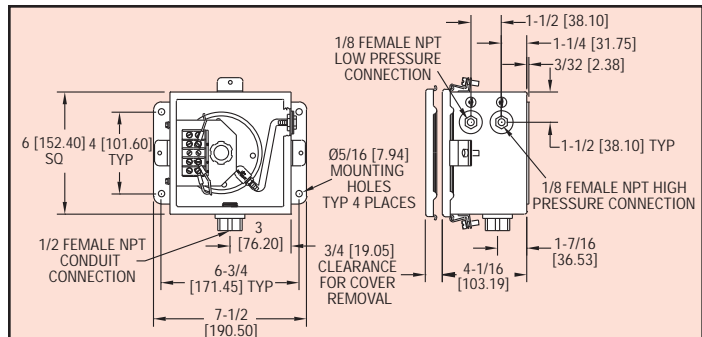
MIL Environmental Construction — Unlisted Model 1820 can be furnished with a special sealed snap switch for protection against high humidity, fungus and/or military applications. Similar to Model 1823 except dead band is slightly greater and some lower setpoints may not be possible. To order, add suffix -MIL. Example: 1820-2-MIL.

No. A-389 Mounting Bracket is 16 ga. steel, zinc plated and dichromate dipped for corrosion resistance. Provides rugged, permanent mounting and speeds installation.

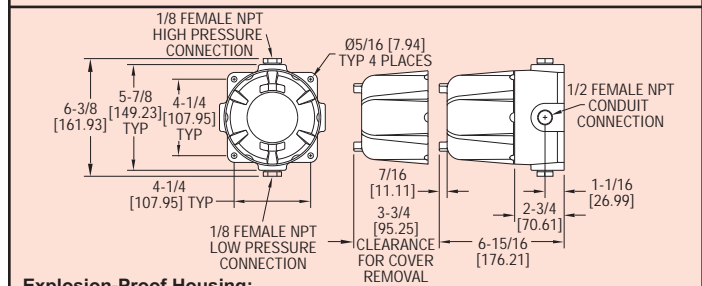
SPECIFICATIONS

Service: Air and non-combustible, compatible gases.
Wetted Materials: Consult factory.
Temperature Limits: -30 to 180°F (-34 to 82.2°C). 1823-00, -20 to 180°F (-28.9 to 82.2°C).
Pressure Limits: 10 psig (68.95 kPa) continuous, 25 psig (172.4 kPa) surge.
Switch Type: Single-pole double-throw (SPDT).
Repeatability: ±2%.
Electrical Rating: 15 A @ 120-480 VAC, 60 Hz. Resistive 1/8 HP @ 125 VAC, 1/4 HP @ 250 VAC, 60 Hz. Derate to 10 A for operation at high cycle rates.

Electrical Connections: 3 screw type, common, normally open and normally closed.
Process Connections: 1/8" female NPT.
Mounting Orientation: Diaphragm in vertical position. Consult factory for other position orientations.
Set Point Adjustment: Screw type inside mounting stud.
Weight: 1 lb, 5 oz (595 g).
Agency Approvals: CE, UL, CSA and FM approved. Optional-EXPL Explosion-proof enclosure does not possess any agency approvals.



Weatherproof Housing: 16 ga. steel enclosure with gasketed cover (NEMA 4, IP66) for wet or oily conditions. Withstands 200 hour salt spray test. Wt. 5-1/2 lbs. (2.5 kg). Switch must be factory installed. Change 1823 base number to 1824 and add -WP suffix. Example: 1824-1-WP



Explosion-Proof Housing: Cast iron base with aluminum cover. Rated Class I, Div. 1 & 2, Group D; Class II, Div. 1 & 2, Groups E, F, G; Class III and NEMA 7 CD, 9 EFG. Wt. 7-1/2 lbs. (3.4kg). Switch must be factory installed. Change base number to 1824 and add -EXPL suffix. Example: 1824-1-EXPL