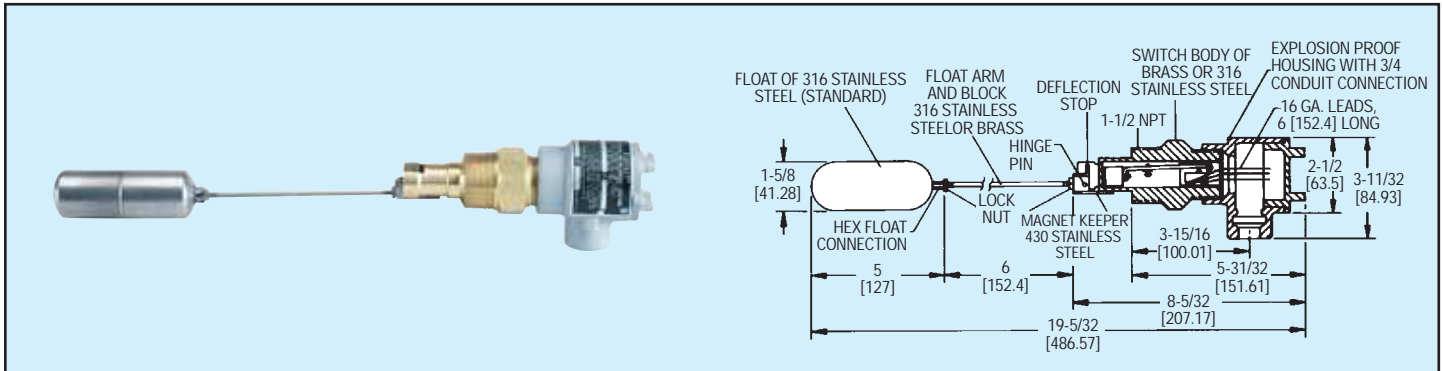


# FLOTECT® Float Switch

Magnetically Operated Switch, Leak Proof Body, Explosion-Proof



**Rugged and reliable** the Series L4 Flotect® Level switch operates automatically to indicate tank level. Perfect for starting or stopping pumps, opening or closing valves, or actuate level alarm signals. A unique magnetically actuated switching design gives superior performance. There are no bellows, springs, or seals to fail. Instead, the free-swinging float attracts a magnet within the solid metal switch body, actuating a snap switch by means of a simple lever arm. Float arm hinge design limits the arm angle to prevent vertical hangup.

**FEATURES**

- Leak proof body machined from bar stock
- Choice of floats dependent on maximum pressure and specific gravity
- Weatherproof, designed to meet NEMA 4
- Explosion-proof (listings included in specifications)
- Installs directly and easily into tank with a thredolet or flange (see application drawings)
- Electrical assembly can be easily replaced without removing the unit from the installation so that the process does not have to be shut down
- Horizontal installation or optional top mount vertical installation

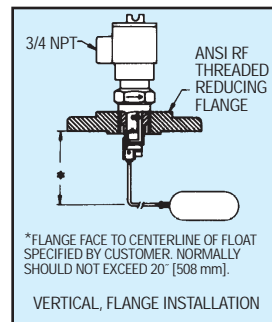
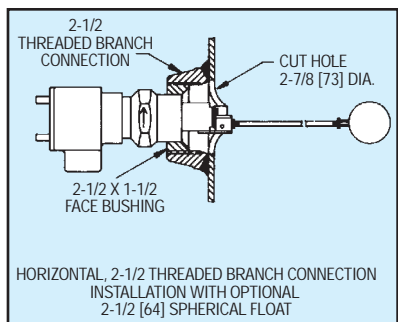
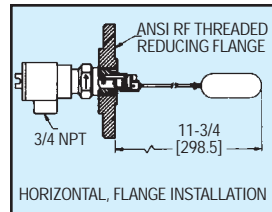
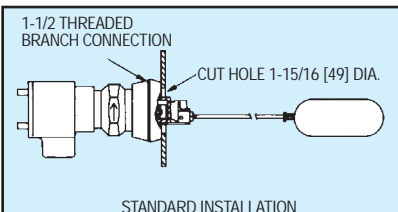
**APPLICATIONS**

- Direct pump control for maintaining level
- Automatic tank dump operations
- Control levels or provide alarms in sumps, scrubber systems, hydro-pneumatic tanks, low pressure boilers, and various waste water/sewage treatment processes

| Model | Description                    |
|-------|--------------------------------|
| L4    | Brass body, side wall mounting |
| L4SS  | 316SS* body, sidewall mounting |

\*316SS body and float with 430SS magnet keeper (wetted part).

**Application Drawings For Flotect® Float Switches**



**SPECIFICATIONS**

**Service:** Liquids compatible with wetted materials.

**Wetted Materials:**

- Float and Rod: 316 SS.
- Body: Brass or 316 SS standard.
- Magnet Keeper: 430 SS standard, 316 SS or Nickel optional.

**Temperature Limits:** 4 to 275°F (-20 to 135°C) standard, MT high temperature option 400°F (205°C) [MT option not UL, CSA, ATEX, or SAA].

**Pressure Limit:** Brass body 1000 psig (69 bar), 316 SS body 2000 psig (138 bar). Standard float rated 100 psig (6.9 bar). For other floats see options.

**Enclosure Rating:** Weatherproof and Explosion-proof. Listed with UL and CSA for Class I, Groups C and D; Class II, Groups E, F, and G.

ATEX CE 0344 II 2 G EEx d IIB T6 -20°C ≤ Tamb ≤ 75°C

EC-Type Certificate No.: KEMA 03 ATEX 2383

SAA: Exd II C T6 (T amb = 60°C). IP66 C1 I, Zone I. Also FM approved.

**Switch Type:** SPDT snap switch standard, DPDT snap switch optional.

**Electrical Rating:** UL, FM, ATEX and SAA models: 10A @ 125/250 VAC (V~). CSA models: 5A @ 125/250 VAC (V~); 5A res., 3A ind. @

30 VDC (V=). MV option: 1A @ 125 VAC (V~); 1A res., .5A ind. @

30 VDC (V=). MT option: 5A @ 125/250 VAC (V~). [MT and MV option not UL, CSA, FM, ATEX or SAA].

**Electrical Connections:** UL and CSA models: 16 AWG, 6" (152 mm) long. ATEX and SAA unit: terminal block.

**Process Connection:** 1-1/2" male NPT standard, 2-1/2" male NPT required for optional floats.

**Mounting Orientation:** Horizontal installation standard, optional vertical top mount.

**Weight:** 4 lb 9 oz (2.07 kg).

**Dead Band:** 3/4" (19 mm) for standard float.

**Specific Gravity:** 0.7 minimum with standard float. For other floats see options.

**Agency Approvals:** UL, CSA, FM, CE and ATEX.

**OPTIONS FOR L4 SWITCHES ABOVE** — Add suffixes to model numbers  
**DPDT contacts**, add suffix **-D**

**Gold Plated Contacts** option for dry circuits, add suffix **-MV** (see electrical rating in specifications, no listings or approvals)

**High Temperature** option rated 400°F (204°C), add suffix **-MT** (see electrical rating in specifications, no listings or approvals)

**Time Delay Relay** option with 2 SPDT contacts, adjustable from 0-1 to 0-31 minutes. Add suffix **-TRI** (increasing flow) or **-TRD** (decreasing flow) (no listings or approvals)

**316 SS Magnet Keeper** option to replace standard 430 SS, add suffix **-316**

**ATEX approved construction**, add suffix **-AT**

**SAA approved construction**, add suffix **-SAA**

**Top Mounted** option for vertical flange installation (distance from flange face to centerline of float to be specified, 20" (508 mm) maximum), add suffix **-TOP**

**Optional Floats (all 2-1/2" spherical):**

304 SS rated 50 psig (3.5 bar) and 0.5 min. s.g., add suffix **-50**

316 SS rated 150 psig (10.3 bar) and 0.7 min. s.g., add suffix **-150**

304 SS rated 300 psig (20.7 bar) and 0.7 min. s.g., add suffix **-300**

Consult factory for price and availability of fittings for L4 installation. Threaded Branch Connection, bushings, and flanges are available in a variety of sizes and materials.